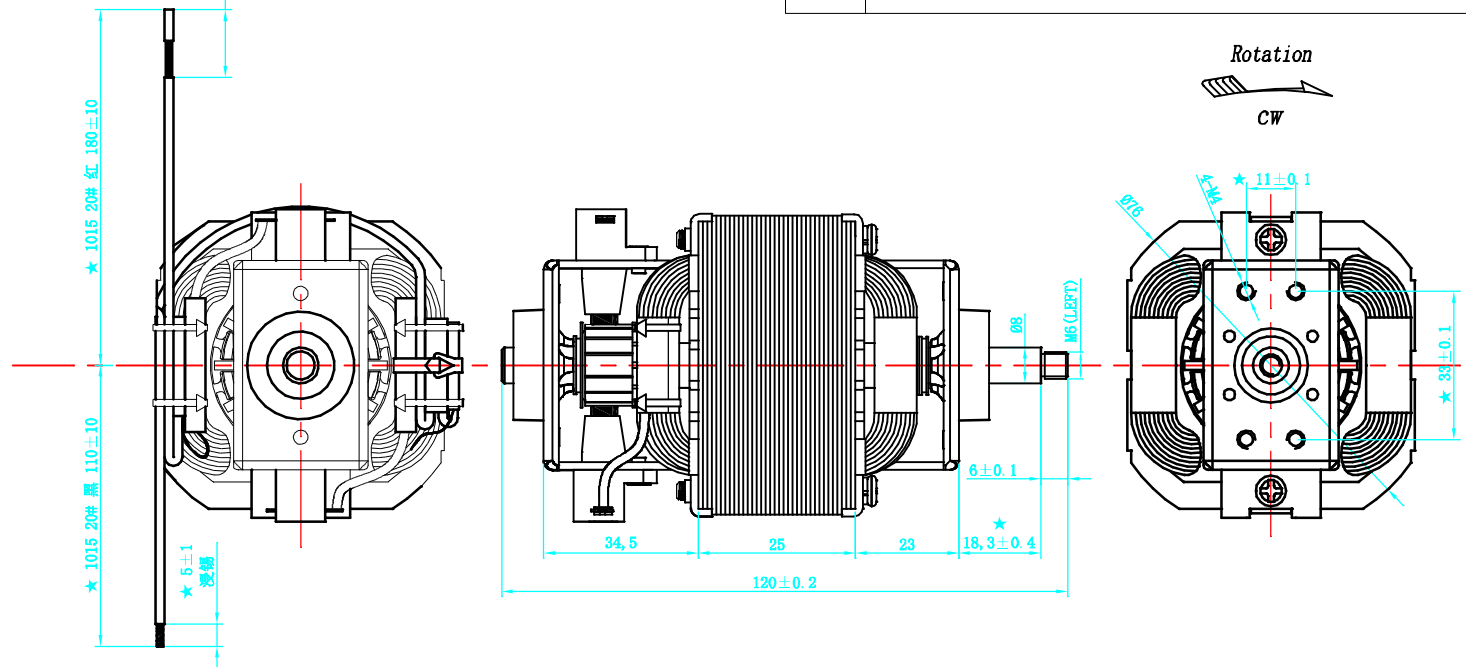


Rohs Compliance

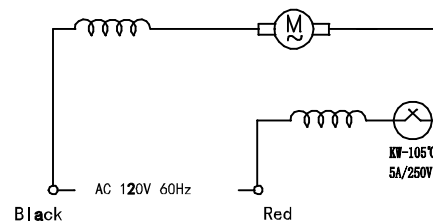
REV	DESCRIPTION	DATE	BY
A	FIRST ISSUE		



Notes:

- Voltage with Frequency (电压和频率): 120V/60Hz
- Rotation (转向): CW
- No-load Performance (空载性能)
 No-load Speed (空载转速): $20000 \pm 15\%$
 No-load Current (空载电流): $0.7 \pm 15\%$
 No-load Power (空载功率): $80 \pm 15\%$
- On load Performance (负载性能)
 On load Speed (负载转速): $10000 \pm 10\%$
 On load Current (负载电流): $3.0 \pm 10\%$
 On load Power (负载功率): $350 \pm 10\%$
- Bear: 608zz
- Choke (电感):
- Capacitance (电容):
- Fuse or Thermostat (保险丝或者温控): 105°
- Temperture Rise (温升): 95°
- Insulation Grade (绝缘等级): classB
- Withstand Voltage (耐压): 1500V/10ma/1sec

CIRCUIT DIAGRAM



Label content:
 OD-7625M120
 120V/60Hz
 MADE IN CHINA

GENERAL TOLERANCES ISO 2768-m	
Permissible deviations for linear dimensions	
Permissible deviations for basic size range	
>0.5	>6
... 3	... 120
... 6	... 400
... 30	... 1000
... 120	... 2000
... 400	... 4000
m	±0.1
	±0.1
	±0.2
	±0.3
	±0.5
	±0.8
	±1.2
	±2
Permissible deviations for angular dimensions	
Permissible deviations for broken edges (except radii/ chamfer heights)	
Permissible deviations for range of lengths in millimetre of the shorter side of the angle concerned	
... 10	>10
... 50	>50
... 120	>120
... 400	>400
... 3	>3
... 6	>6
... 10	>10
m	±1°
	±1°
	±2°
	±3°
	±5°
	±1°

DWN. BY	CHK. BY	APP. BY
Date(yyyymmdd)	Date(yyyymmdd)	Date(yyyymmdd)
MATERIAL:		
FINISH:		
General Tolerance ISO 2768-1 Class m (Unless specified)		TITLE
ALL DIMENSIONS ARE IN MILLIMETRES		OD-7625M12
SHENZHEN ODIN IMPORT AND EXPORT CO., LTD		DWG NO. OD-7625M12
		SHEET 1 OF 1